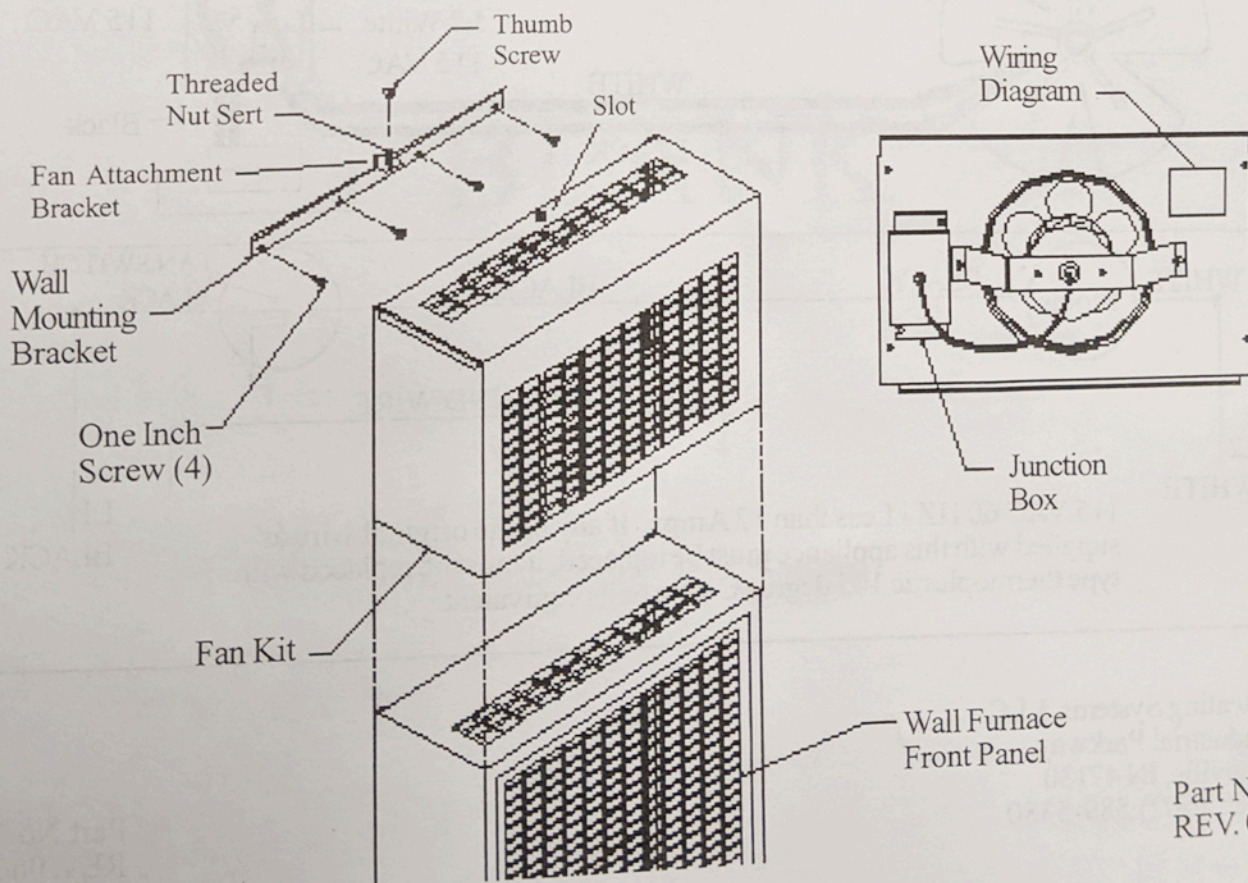


MODEL WFF81-C OPTIONAL FAN KIT

INSTALLATION INSTRUCTIONS

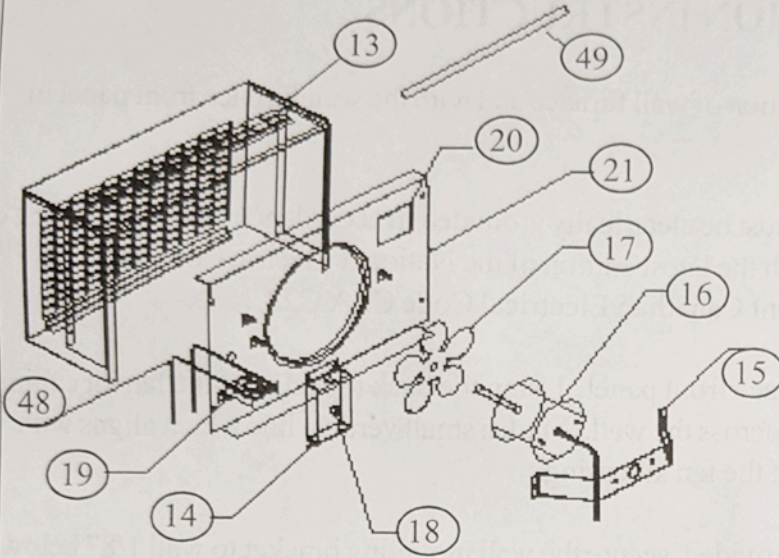
NOTE: This fan kit is to be installed after installation of wall furnace and with the wall furnace front panel in place.

- STEP 1.** This appliance, when installed, must be electrically grounded in accordance with local codes, or in the absence of local codes, with the latest edition of the National Electric Code, ANSI/NFPA No. 70. In Canada, see the current Canadian Electrical Code CSA C22.1.
- STEP 2.** Set fan kit on top of the wall furnace front panel. Using the back top edge of the fan kit cabinet as a guide, mark a horizontal line across the wall. Mark a small vertical line which aligns with the slot located toward the rear of the fan kit casing.
- STEP 3.** Using the four one inch screws provided, secure the wall mounting bracket to wall 1/8" below the horizontal line. Fan attachment bracket must be up and threaded nut sert aligned with the small vertical line. Note: Anchors (not provided) may be required.
- STEP 4.** Remove junction box and connect 115v power supply in accordance with the wiring diagram. Replace junction box.
- STEP 5.** Set fan kit on top of wall furnace front panel. Slot should align with the nut sert. Secure fan kit to wall mounting bracket with thumb screw provided.



Part No. 84511
REV. 06/2015

WFF81-C FAN KIT - Used on Single and Dual wall models



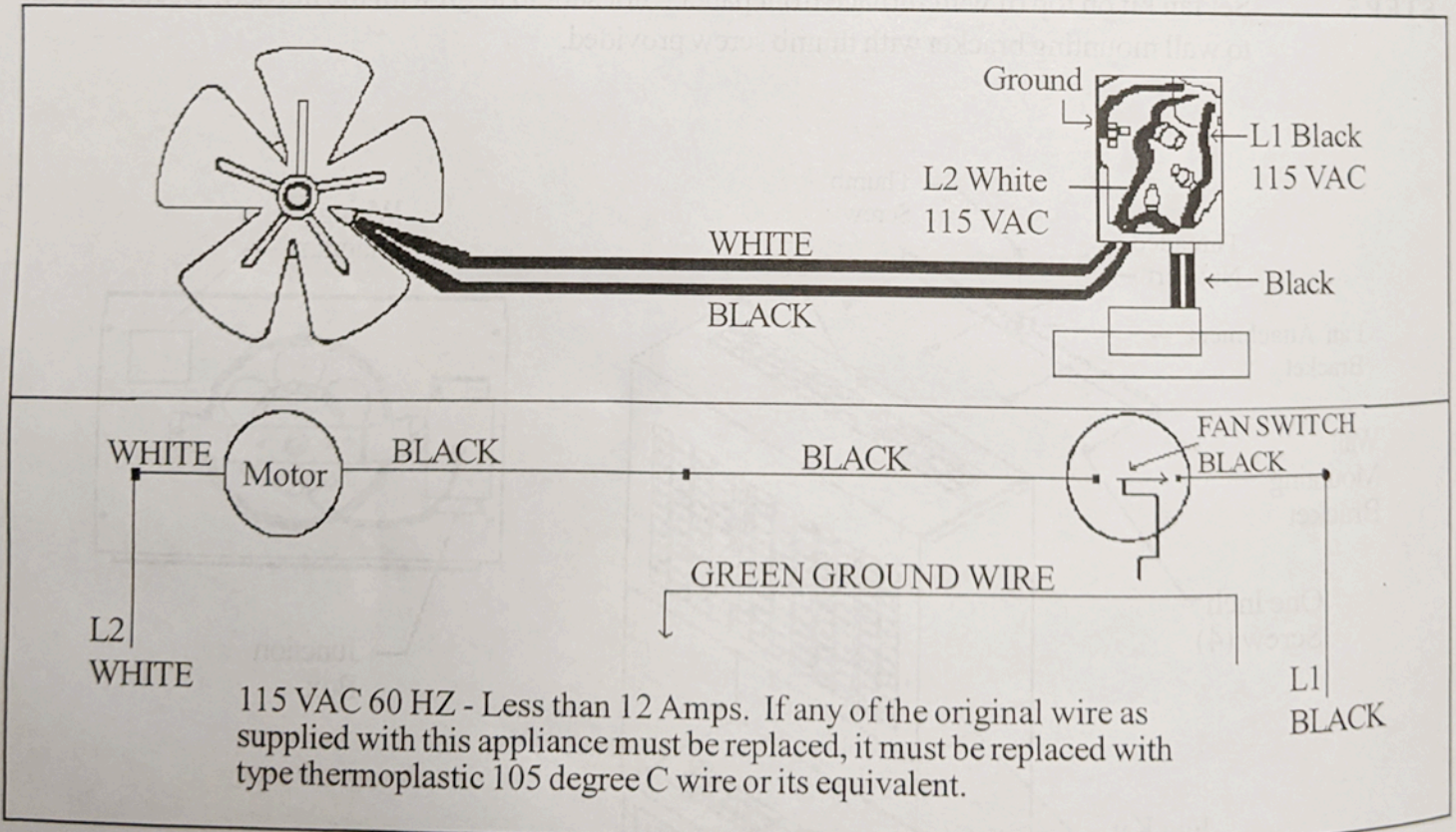
WFF81-C FAN KIT

(Fits all Models)

PART DESCRIPTION	REF. NO.	PART NO.
Fan Cabinet	13	40304
Junction Box	14	40315
Motor Mounting Bracket	15	40313
Motor	16	85110
Fan Blade	17	85115
Heyco Strain Relief	18	84155
Fan Switch	19	84170
Wiring Diagram (Label)	20	91147
Fan Housing	21	40311
Fan Switch Wire	48	*84171
Wall Mounting Bracket	49	40316
Installation Instruction	n/a	84511

*TWO REQUIRED

WFF81-C WIRING SCHEMATIC



Cozy Heating Systems, LLC
 3230 Industrial Parkway
 Jeffersonville, IN 47130
 PHONE: (502) 589-5380

Part No. 84511
 REV. 06/2015